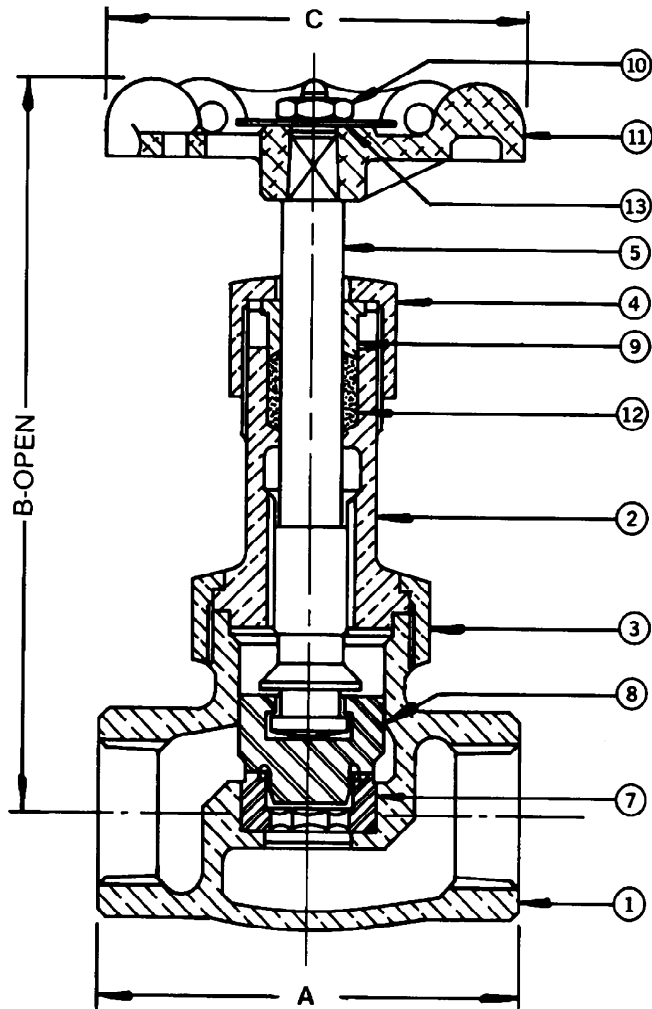


GLOBE 593A

BRONZE

300 lb. SWP @ 550°F-600 lb. WOG† @ 150°F • Heavy Duty Service
 Special Hardened S.S. Seat Ring and Disc
 Union Bonnet • Gland Packed
 Threaded Ends



- This valve has flat seat shutoff with plug type disc for throttling action and replaceable seat and disc. Alternate stem material is available.
- †Non-Shock

(with M.I.H.)

SPECIFICATIONS

593A Conforms to: MSS SP-80, Type 3, Class 300, Threaded Ends.

MATERIAL LIST

| NO. | PART | MATERIAL | SPECIFICATION |
|----------------|------------|--------------|---------------------|
| 1 | Body | Bronze | ASTM B 61 |
| 2 | Bonnet | Bronze | ASTM B 61 |
| 3 | Bonnet Nut | Bronze | ASTM B 61 |
| 4 | Stuff Nut | Bronze | ASTM B 62 |
| 5 | Stem | Bronze | ASTM B 61 |
| 6 ¹ | Disc Ring | Bronze | ASTM B 62 |
| 7 | Seat Ring | St. Steel | ASTM A 276, TY. 420 |
| 8 | Disc | St. Steel | ASTM A 276, TY. 420 |
| 9 | Gland | Brass | ASTM B 16 |
| 10 | Wheel Nut | Brass | ASTM B 16 |
| 11 | Handwheel | Mall. Iron | Commercial |
| 12 | Packing | Non-Asbestos | |
| 13 | Name Plate | Sh. Alum. | Commercial |

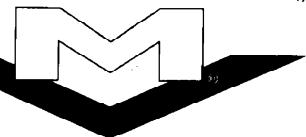
¹ Not shown — used on 1½" and larger valves only.

DIMENSIONS-INCHES

| SIZE | A | B | C |
|------|--------------------------------|-------------------------------|----|
| ½ | 2¾ | 4½ | 2¼ |
| ¾ | 3 ³ / ₁₆ | 5 ¹ / ₈ | 2¾ |
| 1 | 3 ⁵ / ₈ | 5 ³ / ₈ | 3¼ |
| 1¼ | 4 ¹ / ₈ | 6¼ | 3¾ |
| 1½ | 4¾ | 7 ³ / ₈ | 4¼ |
| 2 | 5 ¹ / ₈ | 8 ³ / ₈ | 4¾ |

1/91

INNOVATION IN EVERY VALVE



MILWAUKEE VALVE